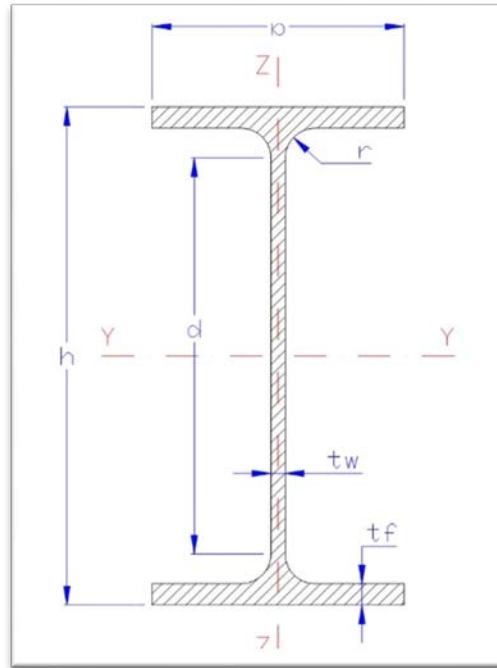




HIPER HIERROS

# VIGA IPE



## CARACTERÍSTICAS DIMENSIONALES Y MECÁNICAS DE LA SERIE

PERFIL	Dimensiones						Sección	m <sup>2</sup> /m	Peso	Propiedades de la Sección					
	h	b	tw	tf	r	d				Referido al eje y-y			Referido al eje z-z		
	mm	mm	mm	mm	mm	mm	A	G	ly	Wy	iy	lz	Wz	iz	
IPE 80	80	46	3.8	5.2	5	59.6	7.64	0,328	6	80.14	20.03	3.24	8.49	3.69	1.05
IPE 100	100	55	4.1	5.7	7	74.6	10.32	0,400	8.1	171	34.2	4.07	15.9	5.79	1.24
IPE 120	120	64	4.4	6.3	7	93.4	13.2	0,475	10.4	318	53	4.9	27.7	8.65	1.45
IPE 140	140	73	4.7	6.9	7	112.2	16.4	0,551	12.9	541	77.3	5.74	44.9	12.3	1.65
IPE 160	160	82	5	7.4	9	127.2	20.1	0,623	15.8	869	109	6.58	68.3	16.7	1.84
IPE 180	180	91	5.3	8	9	146	23.9	0,698	18.8	1,32	146	7.42	101	22.2	2.05
IPE 200	200	100	5.6	8.5	12	159	28.5	0,768	22.4	1,94	194	8.26	142	28.5	2.24
IPE 220	220	110	5.9	9.2	12	177.6	33.4	0,848	26.2	2,77	252	9.11	205	37.3	2.48
IPE 240	240	120	6.2	9.8	15	190.4	39.1	0,922	30.7	3,89	324	9.97	284	47.3	2.69
IPE 270	270	135	6.6	10.2	15	219.6	45.9	1,040	36.1	5,79	429	11.2	420	62.2	3.02
IPE 300	300	150	7.1	10.7	15	248.6	53.8	1,160	42.2	8,36	557	12.5	604	80.5	3.35
IPE 330	330	160	7.5	11.5	18	271	62.6	1,250	49.1	11,77	713	13.7	788	98.5	3.55
IPE 360	360	170	8	12.7	18	298.6	72.7	1,350	57.1	16,27	904	15	1,04	123	3.79
IPE 400	400	180	8.6	13.5	21	331	84.5	1,470	66.3	23,13	1,16	16.5	1,32	146	3.95
IPE 450	450	190	9.4	14.6	21	378.8	98.8	1,610	77.6	33,74	1,5	18.5	1,68	176	4.12
IPE 500	500	200	10.2	16	21	426	116	1,740	90.7	48,2	1,93	20.4	2,14	214	4.31
IPE 550	550	210	11.1	17.2	24	467.6	134	1,880	106	67,12	2,44	22.3	2,67	254	4.45
IPE 600	600	220	12	19	24	514	156	2,010	122	92,08	3,07	24.3	3,39	308	4.66